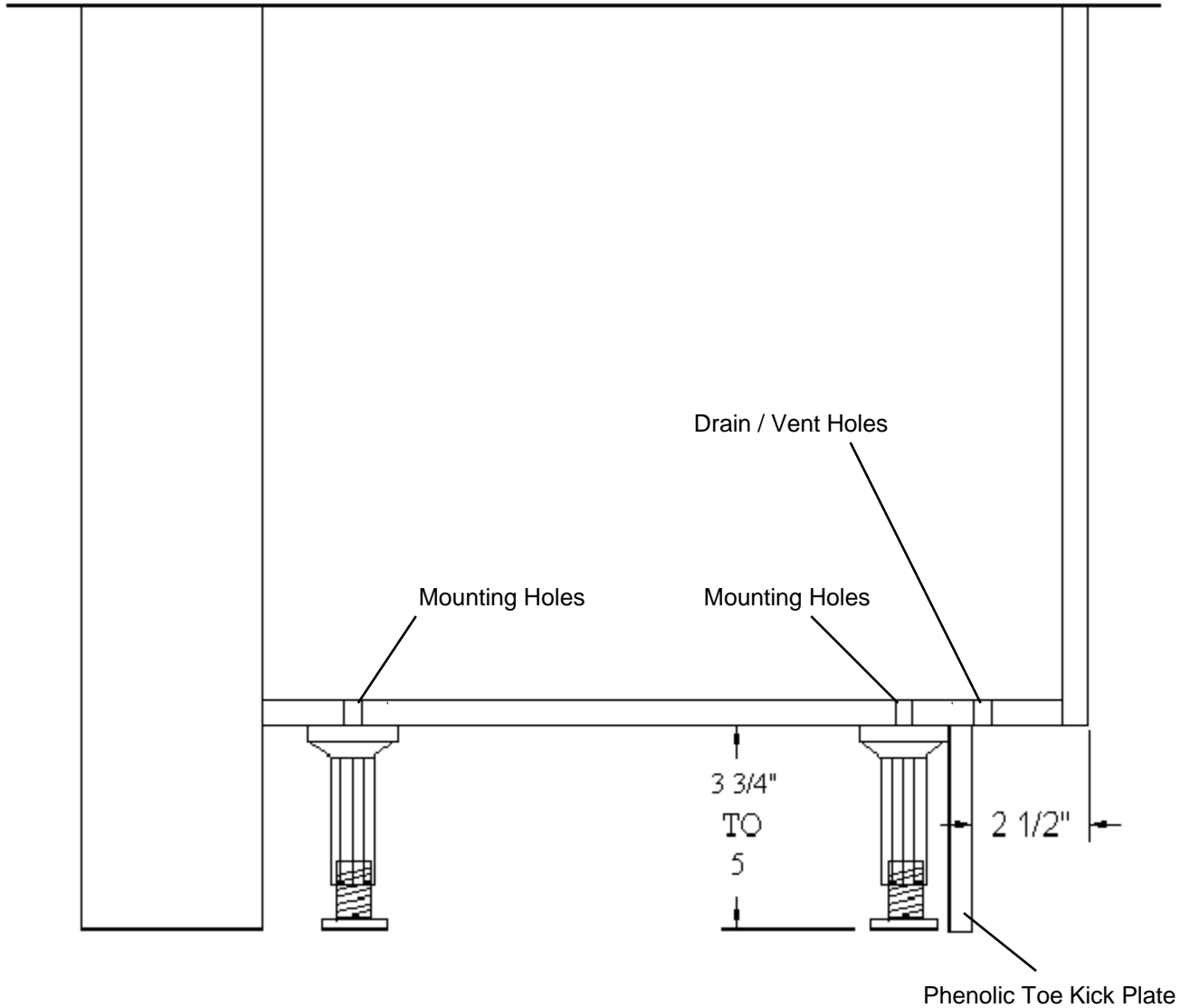


Base Details & Mounting

Design-Tec® Lockers have several base types available to choose from. You can choose which base type best fits your facility giving you maximum opportunity to utilize the most of your space.

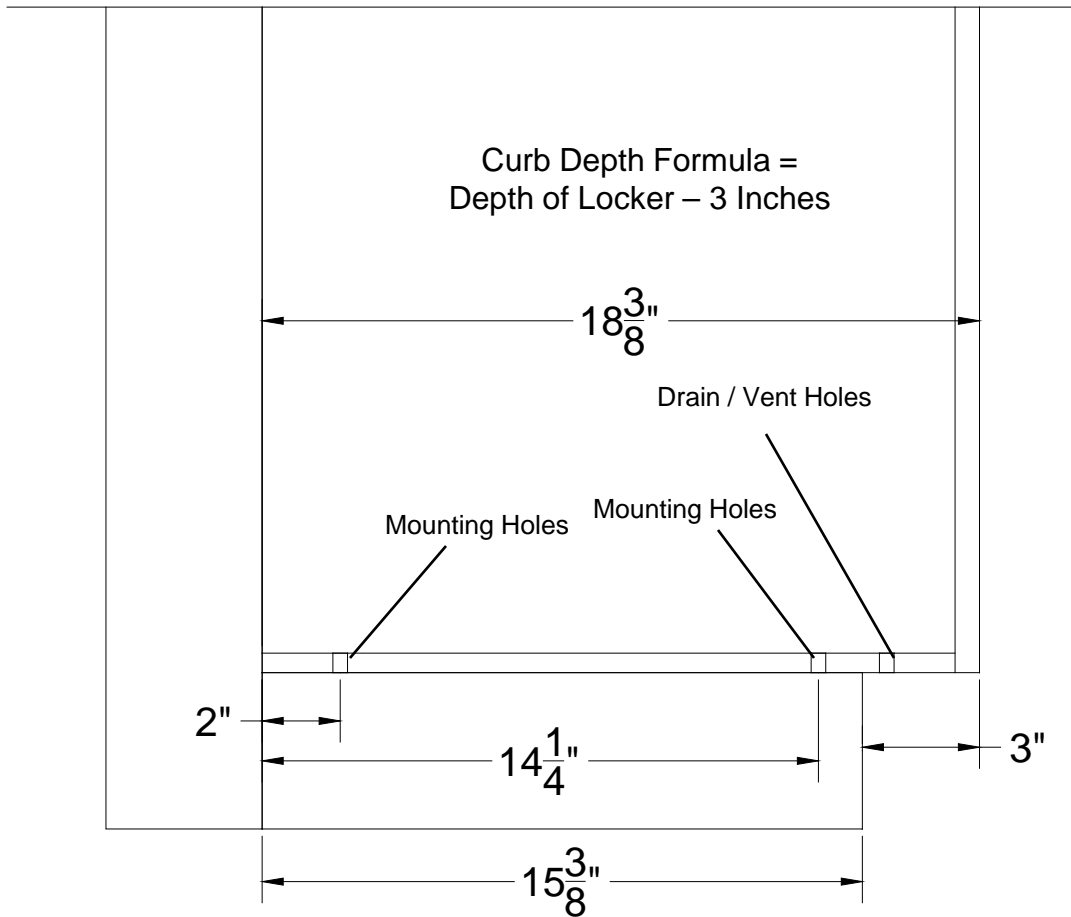
- Adjustable Mounting Leg
- Curb Mounting (Base by Others)
- Bench Frame System
- Locker Frame System

Adjustable Mounting Leg



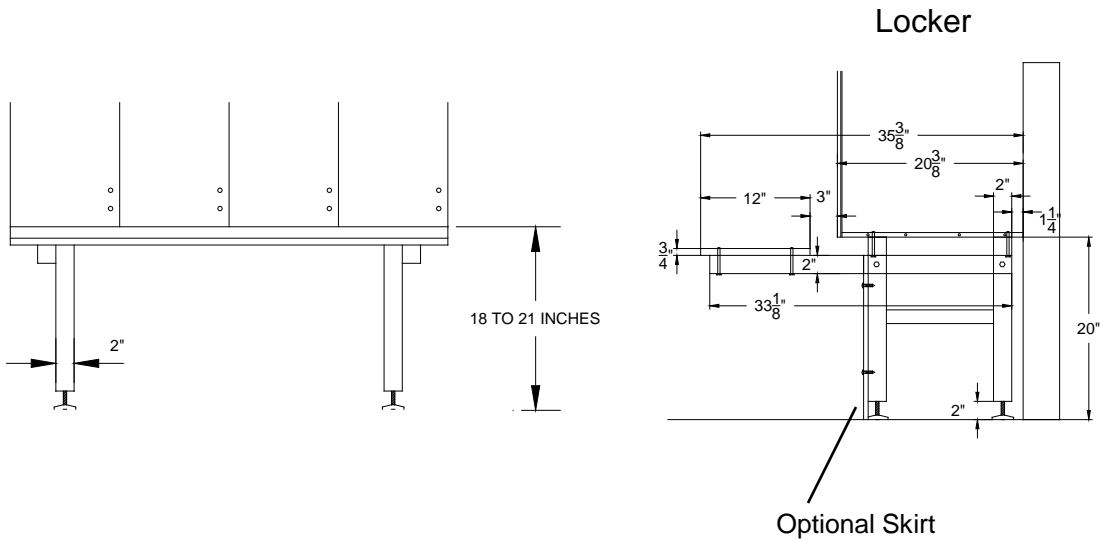
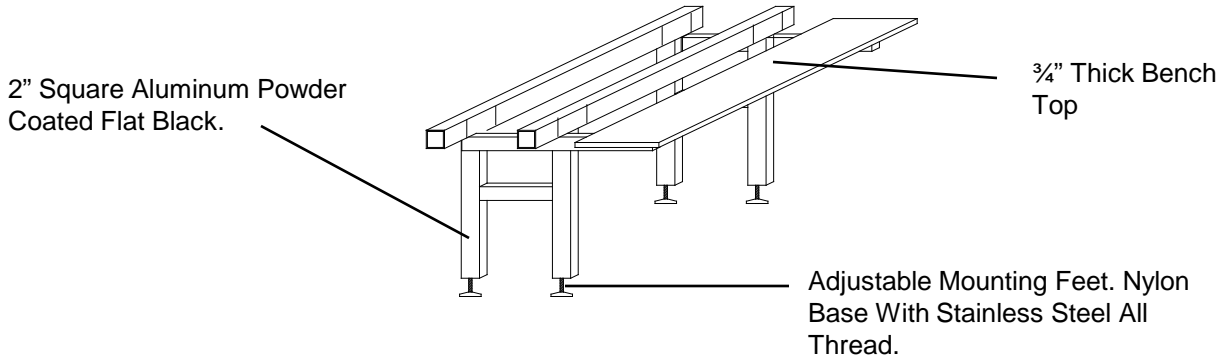
03132009 2

Curb Mounting



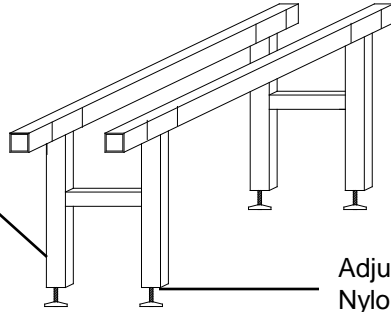
03132009 3

Bench Frame System

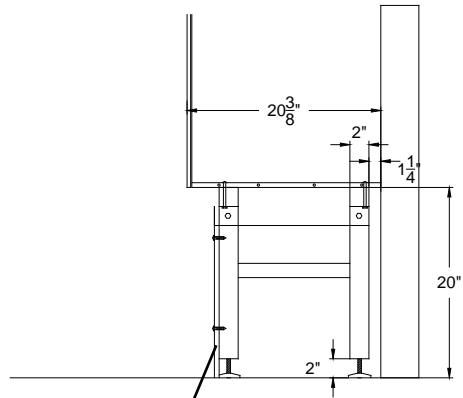
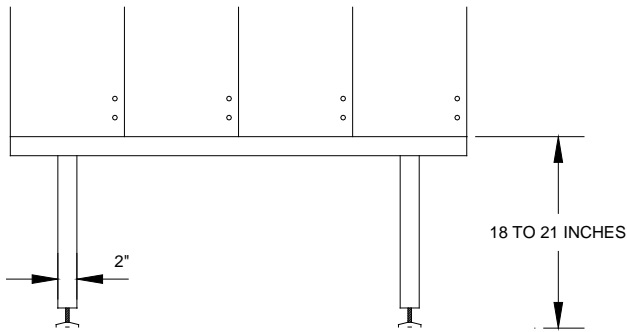


Locker Frame System

2" Square Aluminum
Powder Coated Flat
Black.



Adjustable Mounting Feet.
Nylon Base With Stainless
Steel All Thread.



Optional Skirt

03132009 5