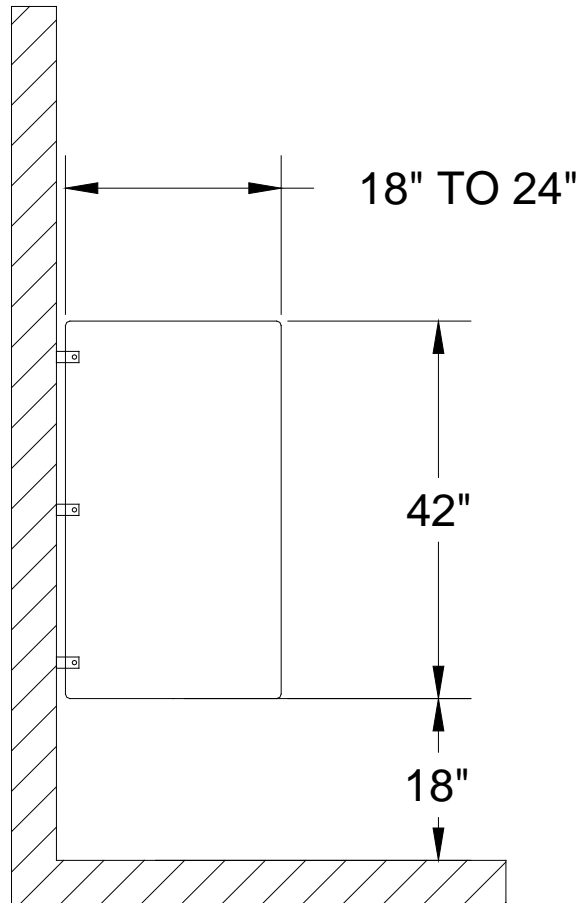


Wall Supported Urinal Screen

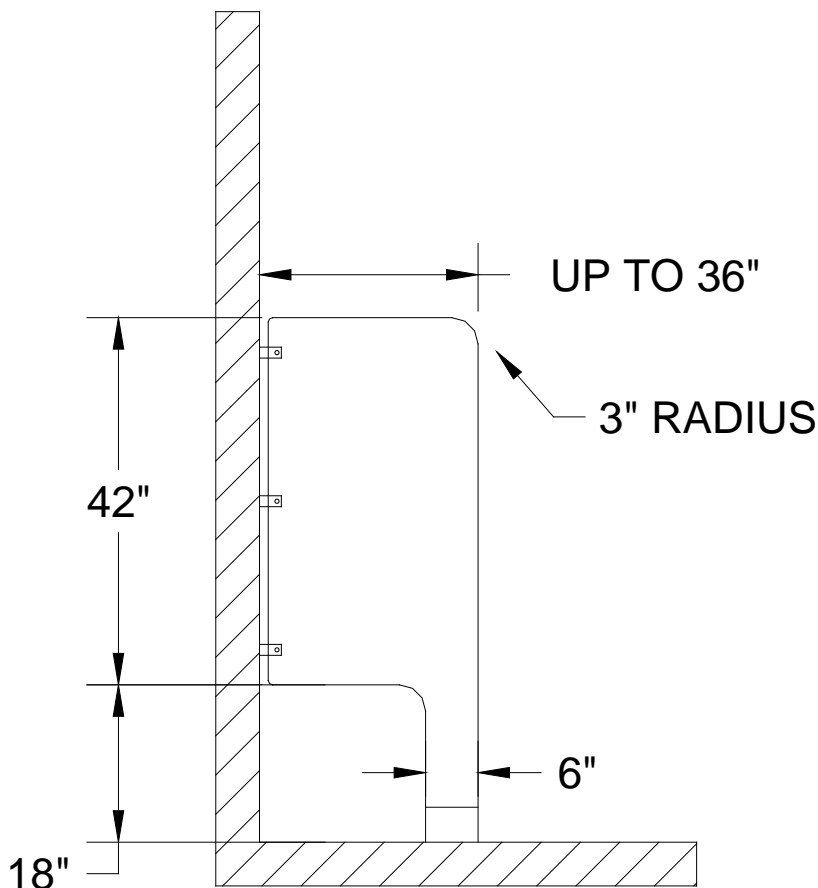


Wall Supported Urinal Screen:

The wall mounted urinal screen provides the best solution for most facilities. This screen requires no special floor or ceiling modification, therefore, it provides a simple installation for new or remodeled restrooms. This screen is mounted on to the blocking inside wall. This type of screen is not recommended for vandalism prone facilities.

03132009 2

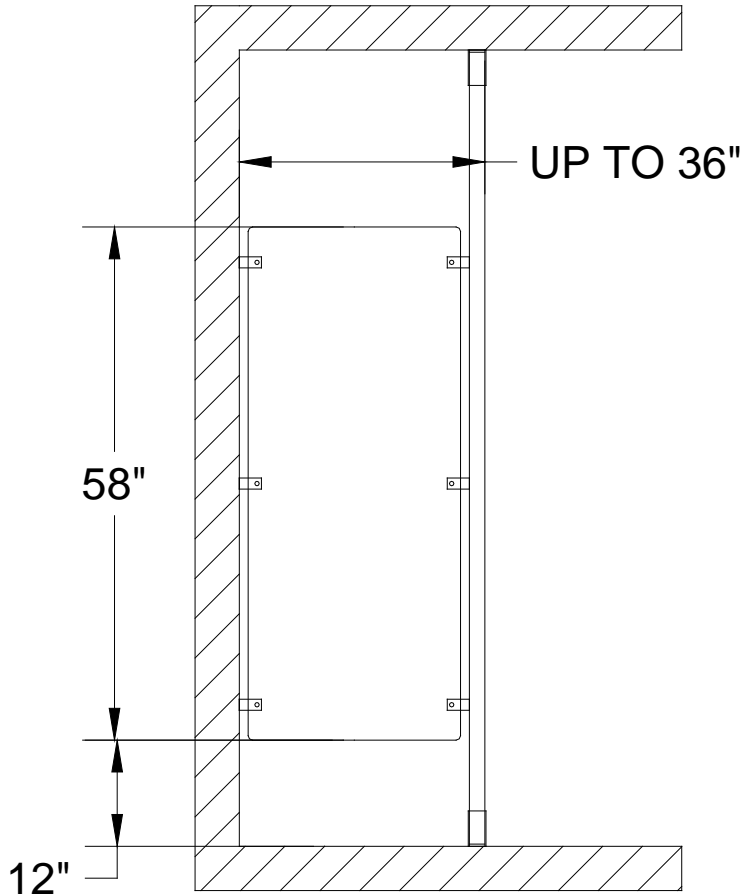
Designer Floor Anchored Urinal Screen



Designer Floor Anchored Urinal Screen:

The wall and floor mounted urinal screen provides design and functionality. The contoured shape of the screen flowing to the floor adds class to any restroom. The screen attaches to the wall and floor for added rigidity. The floor substrate of concrete or wood is acceptable. This screen is recommended for heavy traffic and vandalism prone restrooms.

Floor Post to Ceiling Braced Urinal Screen

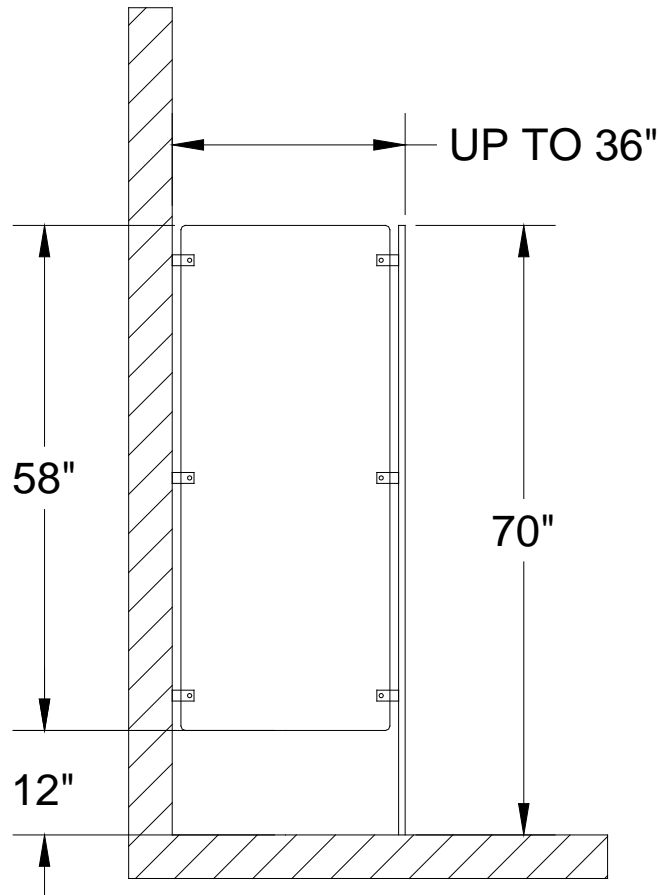


Floor Post to Ceiling Braced Urinal Screen:

The floor to ceiling style urinal screen provides an ideal solution for heavily used and abused restrooms. The strength of the screen is increased due to the two connecting points of the 1 ¼" square aluminum post at the floor and ceiling. A minimum of 3" concrete is required for installation to the floor. A structural support beam is required in the ceiling. This system is designed for ceilings up to 10'.

03132009 4

Standard Floor Anchored Urinal Screen



Standard Floor Anchored Urinal Screen (2 Piece):

The floor anchored urinal screen can be used as a privacy panel as well. The pilaster and panel will match the design of the toilet partitions. It requires a minimum of a 4" concrete base for anchoring the pilaster. The minimum width of the pilaster is 5". This screen is recommended for heavy traffic and vandalism prone areas.

03132009 5