

# Design-Tec® Benches

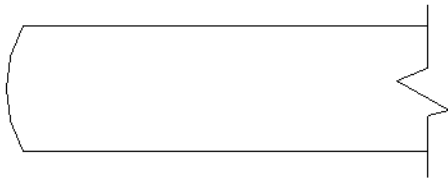
---

Design-Tec Lockers have several benches available that are suitable for all types of facilities. We offer four standard bench types with several standard sizes. Custom benches and sizes are available upon request.

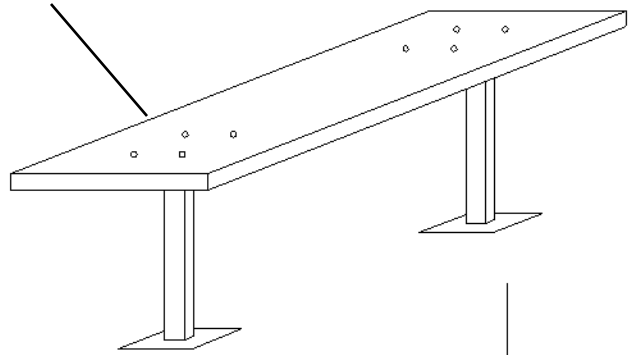
- **Pedestal (Permanent Mount) Bench**
- **H-Frame (Moveable) Bench**
- **Bench Frame System**
- **Wall Mounted Benches**

# Pedestal Bench

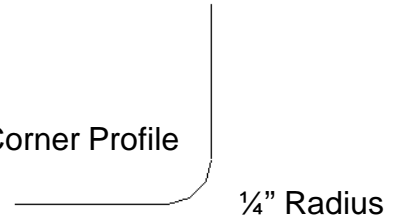
Edge Profile



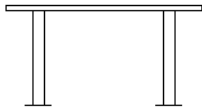
3/4" Thick Phenolic Bench Top



Corner Profile



36"



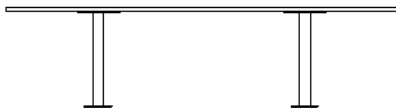
48"



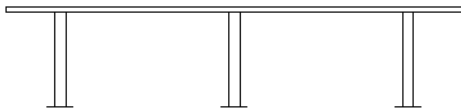
60"



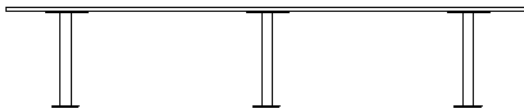
72"



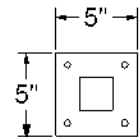
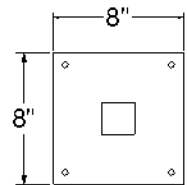
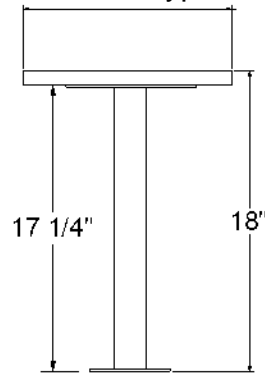
84"



96"



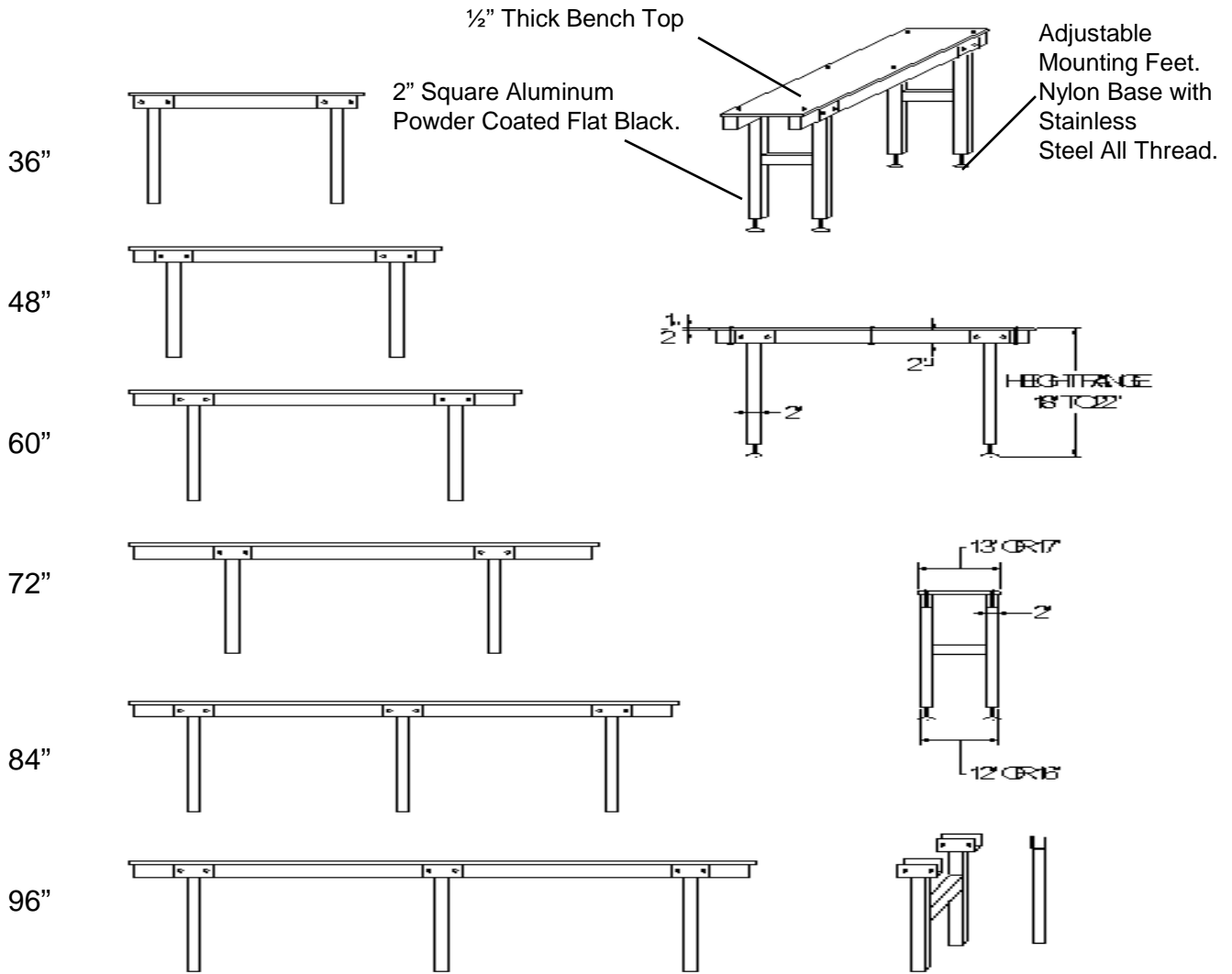
Range of 10" to 16"  
12" Width Typical



2" Square Aluminum Pedestal  
Powder Coated Flat Black

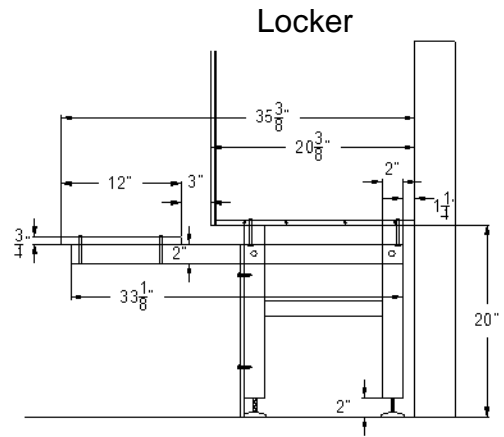
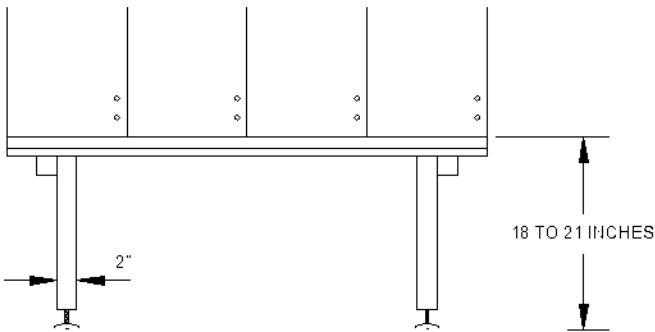
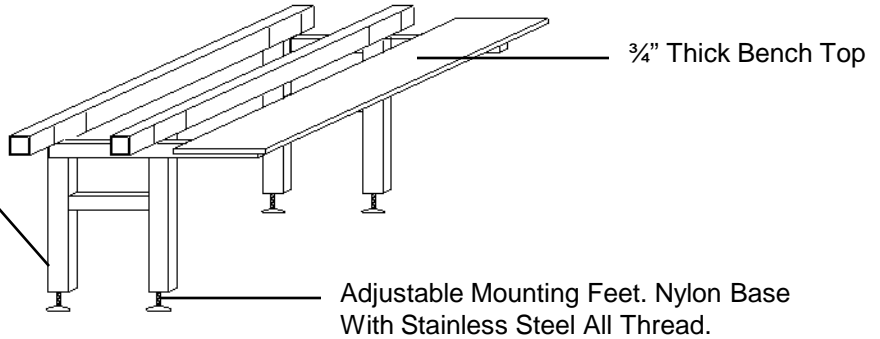
01152009 2

# H-Frame Bench



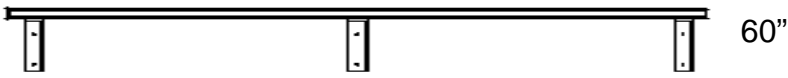
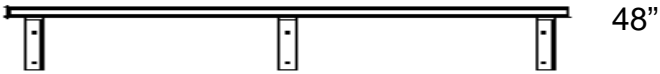
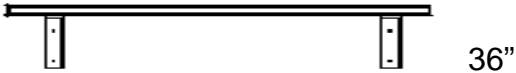
# Bench Frame System

2" Square Aluminum Powder Coated Flat Black.

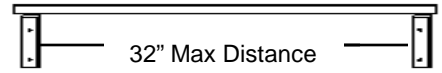


01152009 4

# Wall Mounted Bench



3/4" Thick Phenolic Bench Top



Aluminum Bracket  
Powder Coated Flat Black.

