

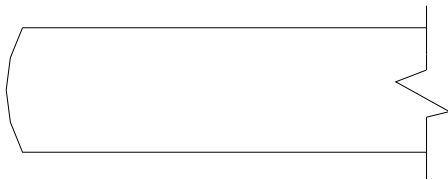
Design-Tec® Benches

Design-Tec Lockers have several benches available that are suitable for all types of facilities. We offer five standard bench types with several standard sizes. Custom bench sizes are available upon request.

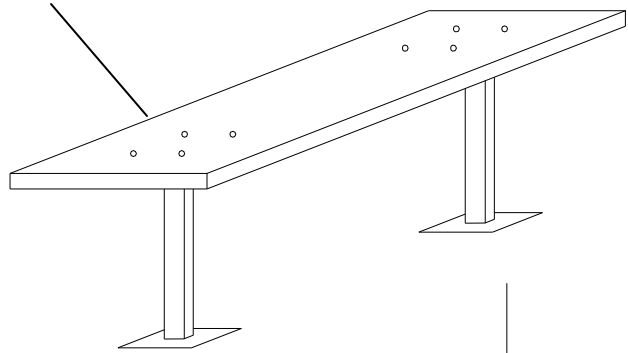
- Pedestal (Permanent Mount) Bench
- H-Frame (Moveable) Bench
- Bench Frame System
- Wall Mounted Benches
- ADA Pedestal Benches

Pedestal Bench

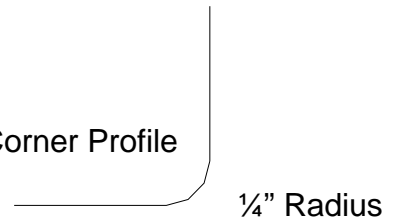
Edge Profile



3/4" Thick Phenolic Bench Top



Corner Profile

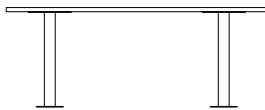


1/4" Radius

36"



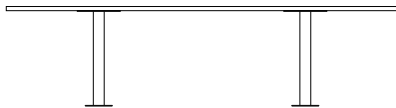
48"



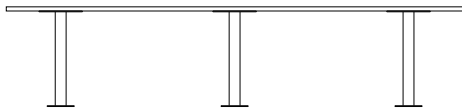
60"



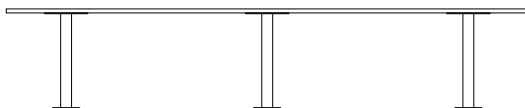
72"



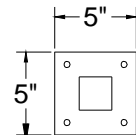
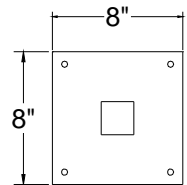
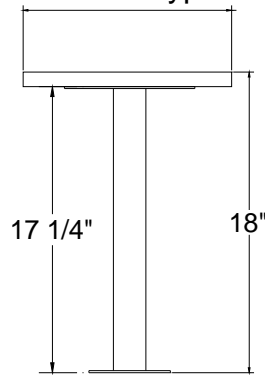
84"



96"



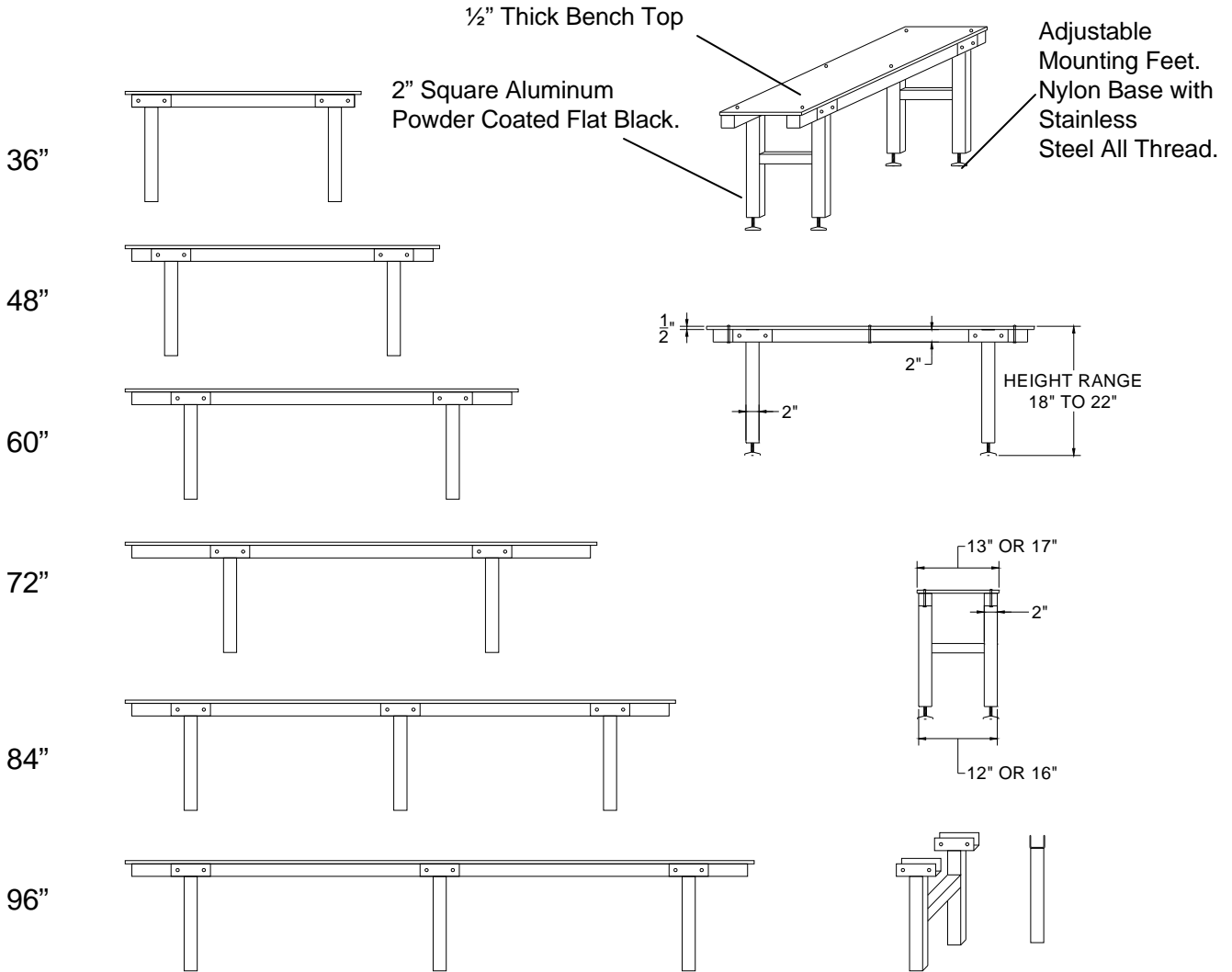
Range of 10" to 16"
12" Width Typical



2" Square Aluminum Pedestal
Powder Coated Flat Black

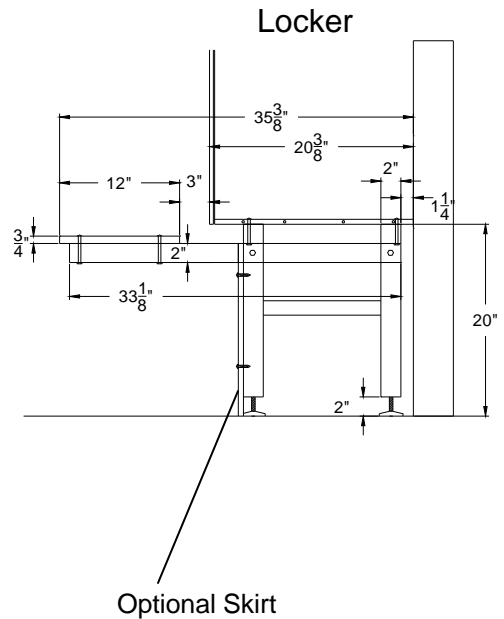
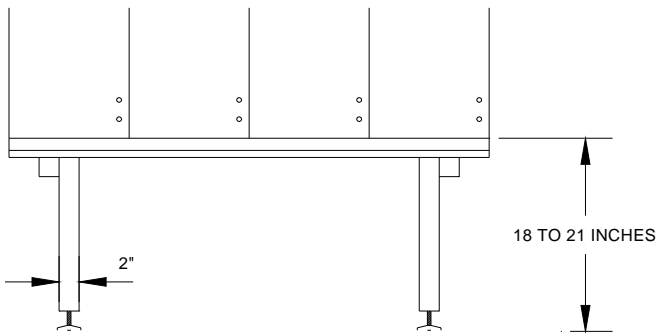
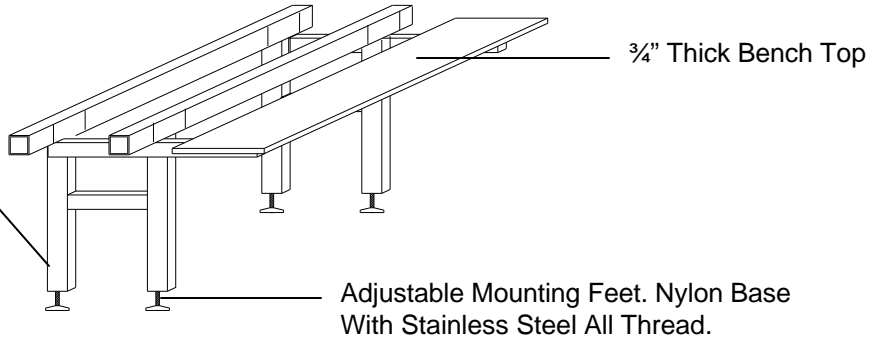
03132009 2

H-Frame Bench

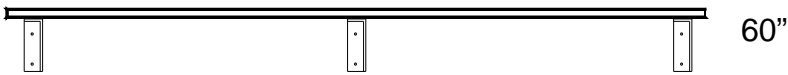
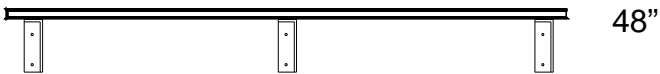
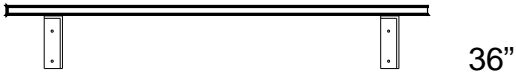


Bench Frame System

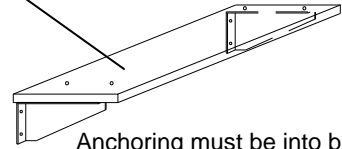
2" Square Aluminum Powder Coated Flat Black.



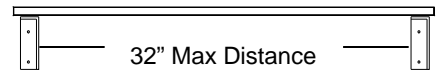
Wall Mounted Benches



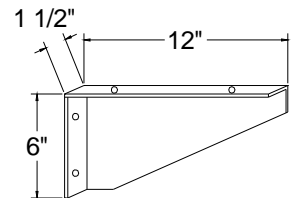
3/4" Thick Phenolic Bench Top



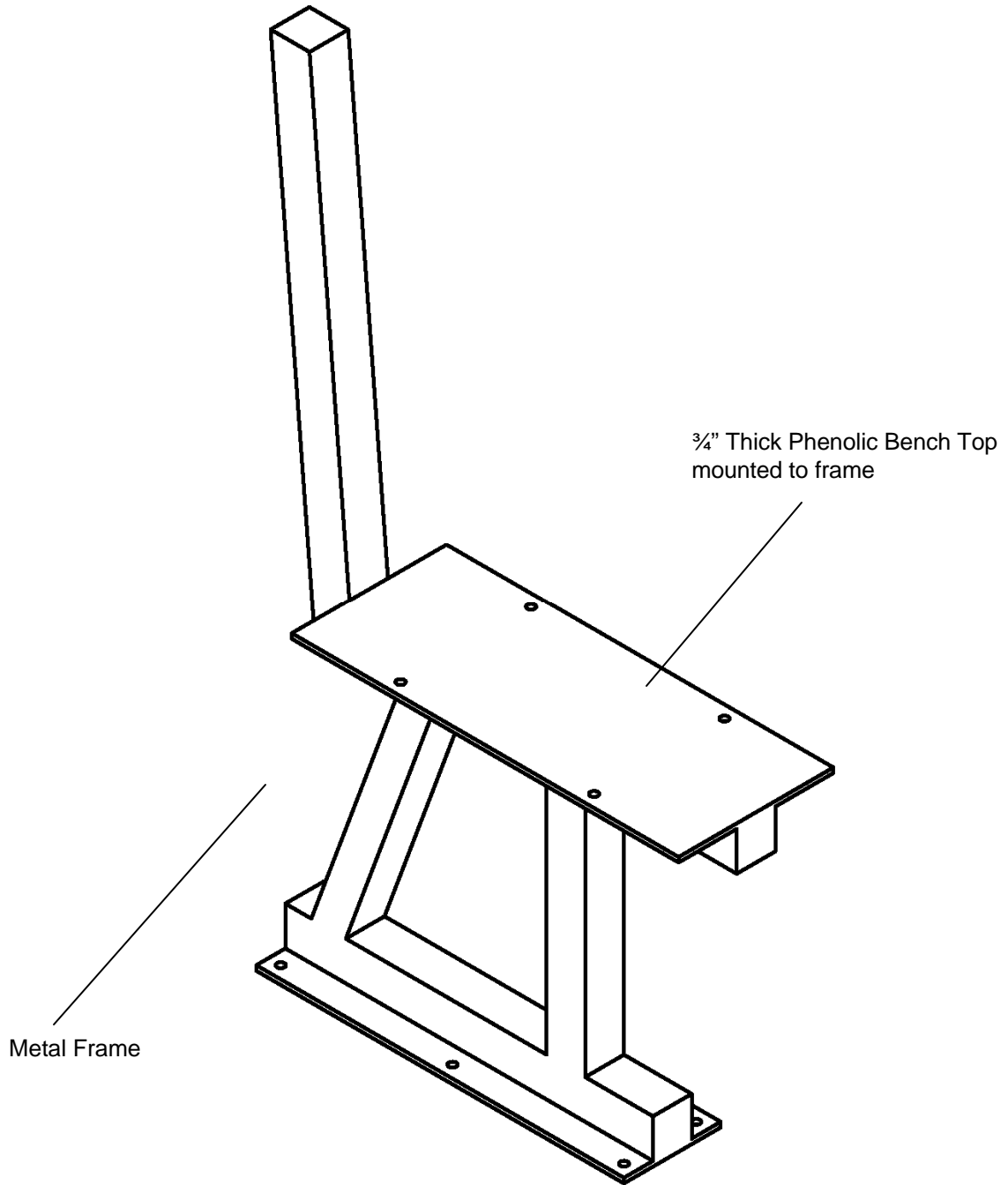
Anchoring must be into backing to support weight of the bench and person.



Aluminum Bracket
Powder Coated Flat Black.



ADA Pedestal Benches



03132009 6