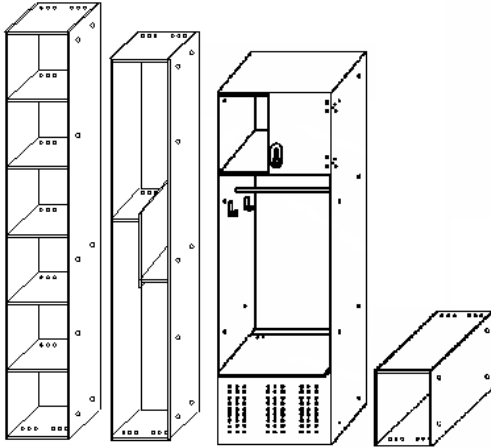


# Locker Styles & Layouts

## Styles

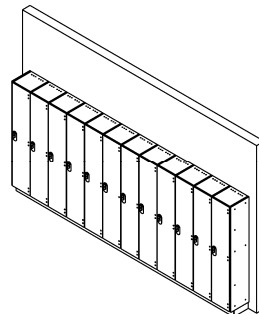


- 1 to 6 Tier Lockers
- Z-Style Lockers
- Athletic Lockers
- Cubbies

Any Custom Configuration  
All Available With ADA Options

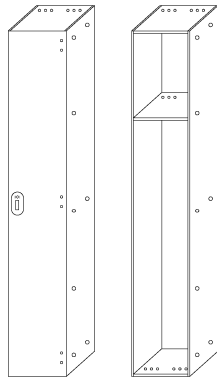
## Layouts

- Free Standing Layout
- Wall to Wall Layout
- Corner Locker Layout
- Island Locker Layout
- Peninsula Locker Layout

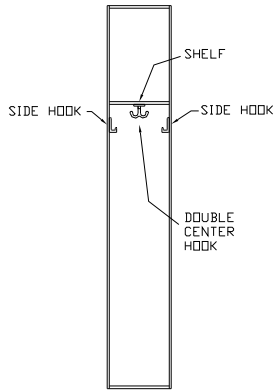


03132009 1

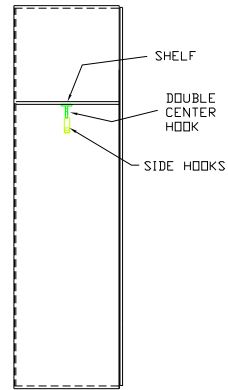
### 1 TIER LOCKER



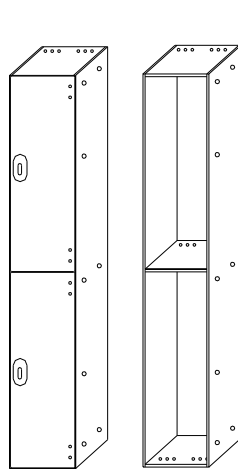
ISOMETRIC



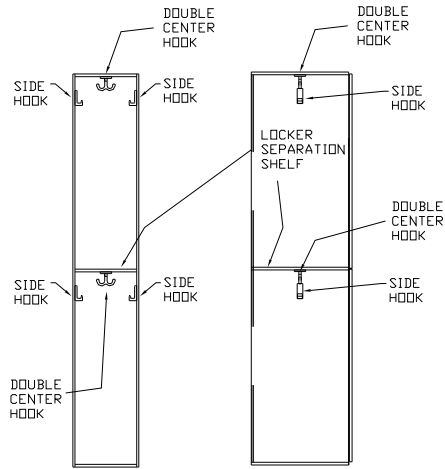
FRONT



SIDE



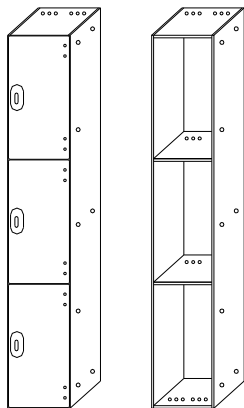
ISOMETRIC



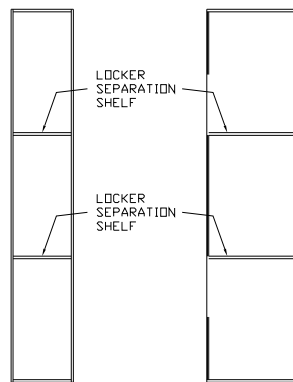
FRONT

SIDE

### 3 TIER LOCKER



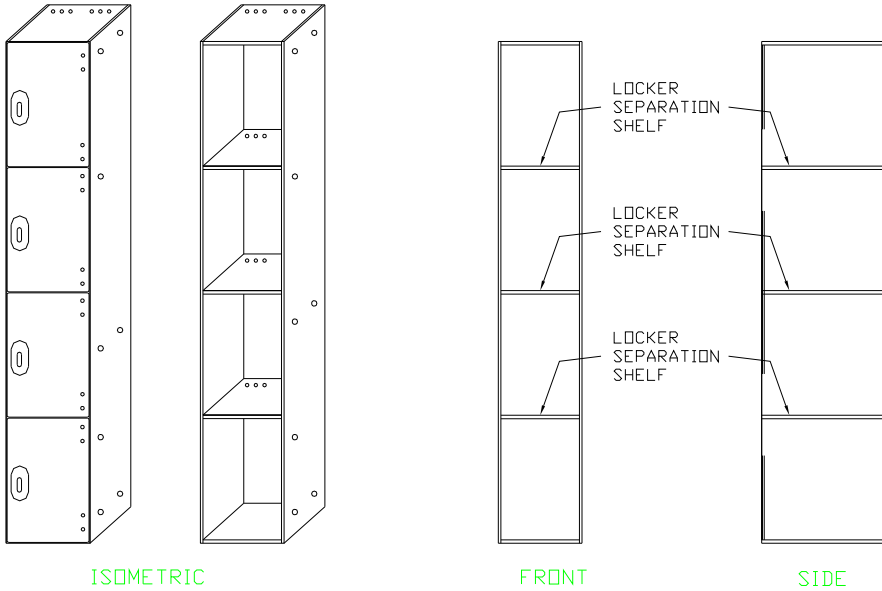
ISOMETRIC



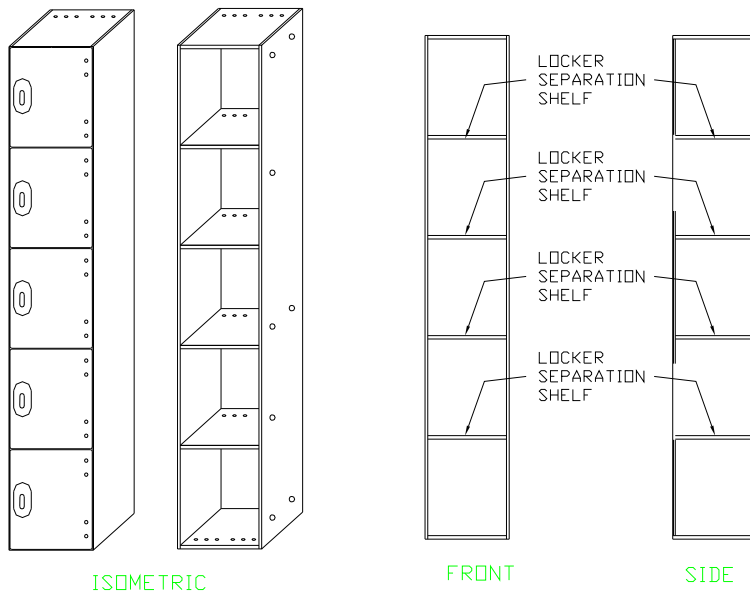
FRONT

SIDE

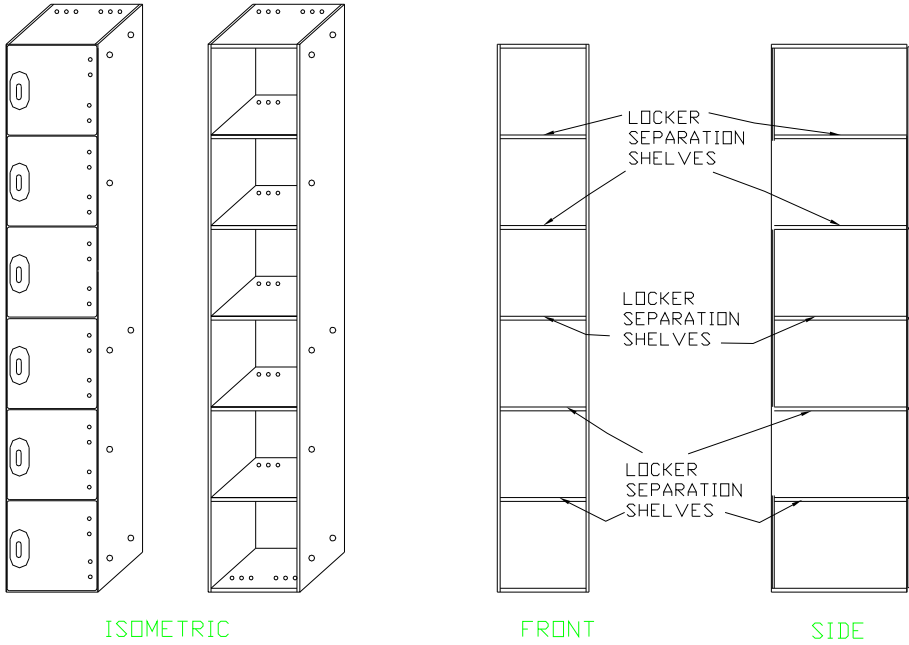
## 4 TIER LOCKER



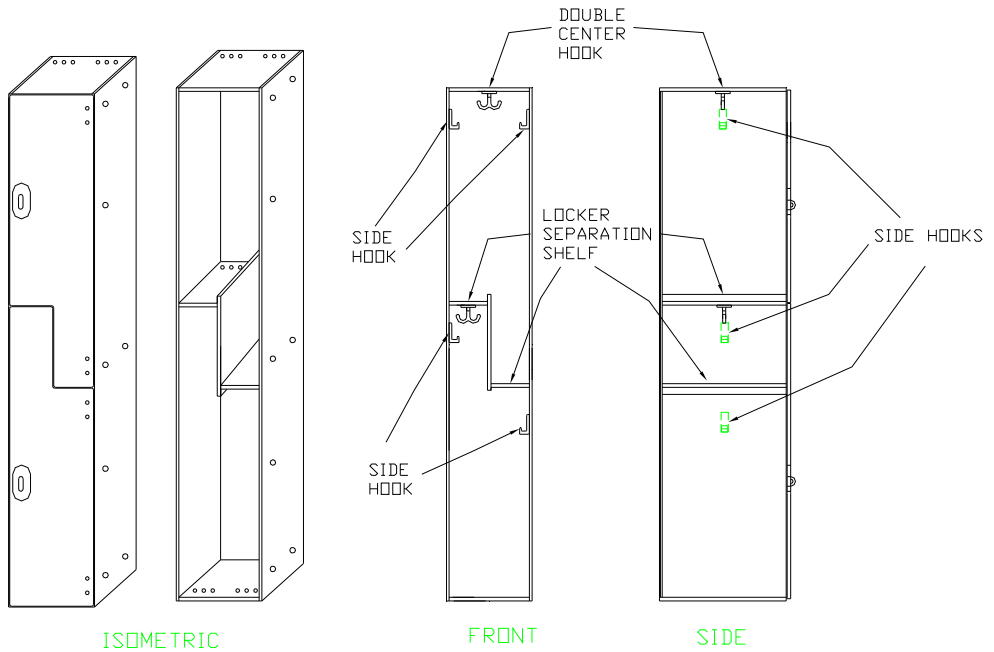
## 5 TIER LOCKER



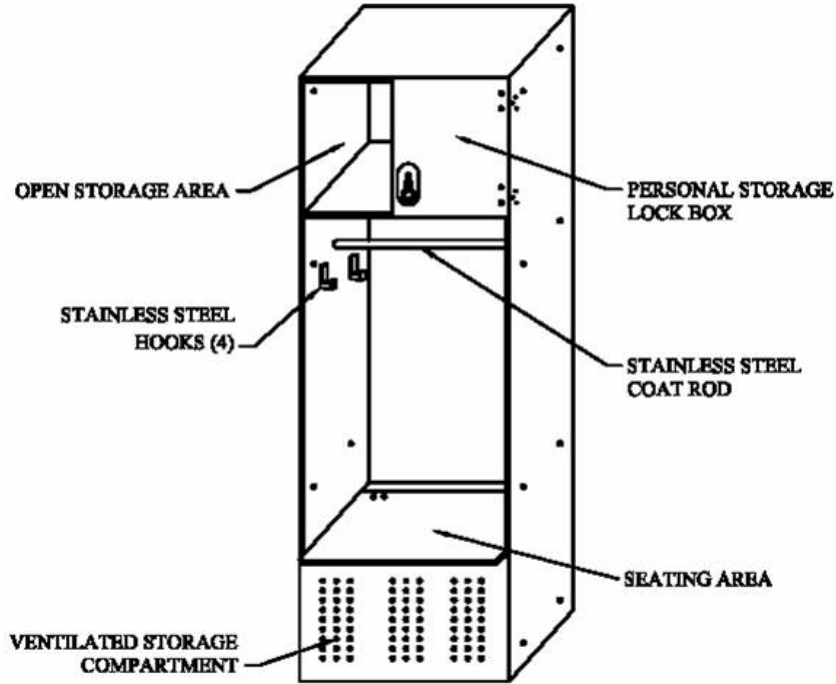
# 6 TIER LOCKER



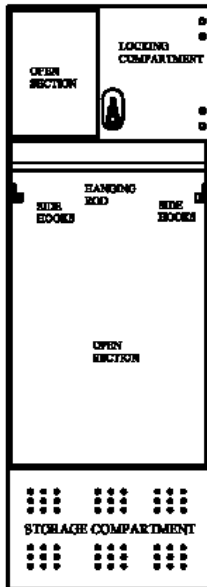
# Z LOCKER



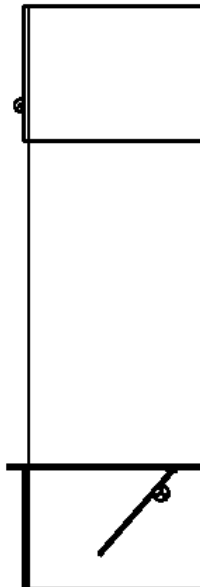
# ATHLETIC LOCKER



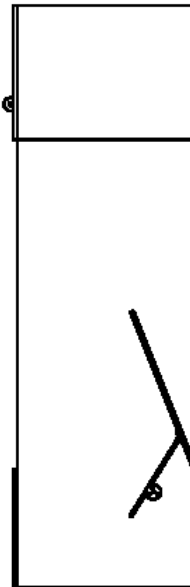
# ATHLETIC LOCKER



FRONT VIEW

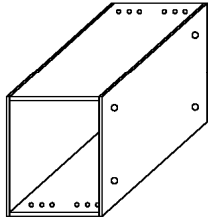


SIDE VIEW

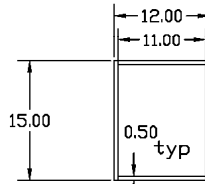


12 X 17 3/4 X 15

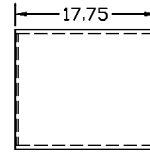
CUBBIE



ISOMETRIC

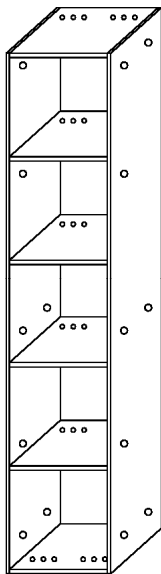


FRONT

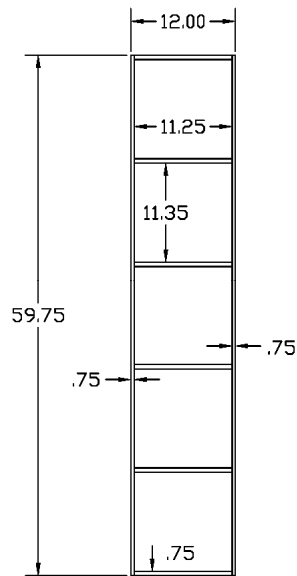


SIDE

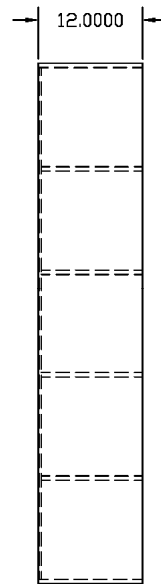
12 X 12 X 59 3/4 5 TIER CUBBIE



ISOMETRIC

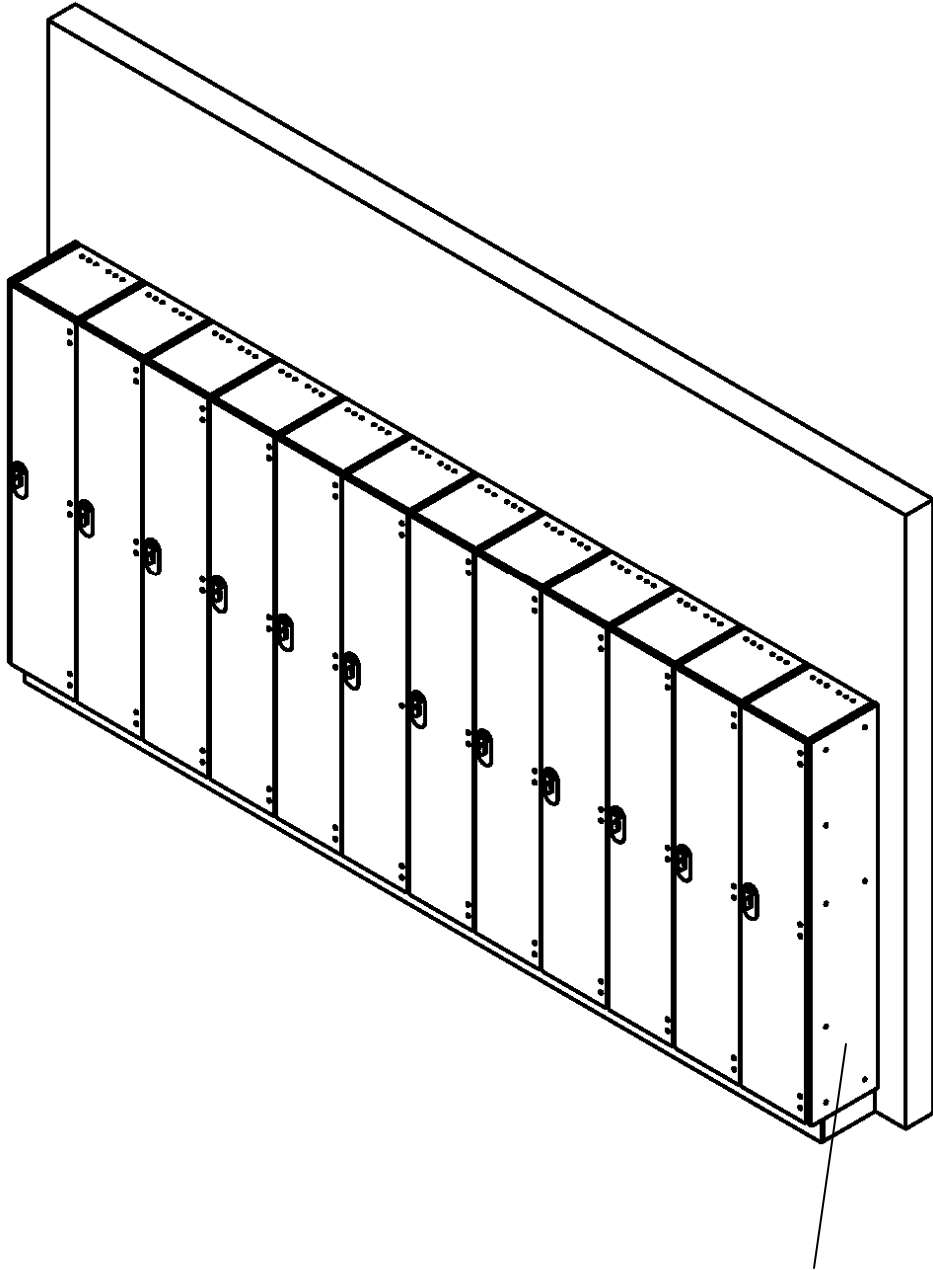


FRONT



SIDE

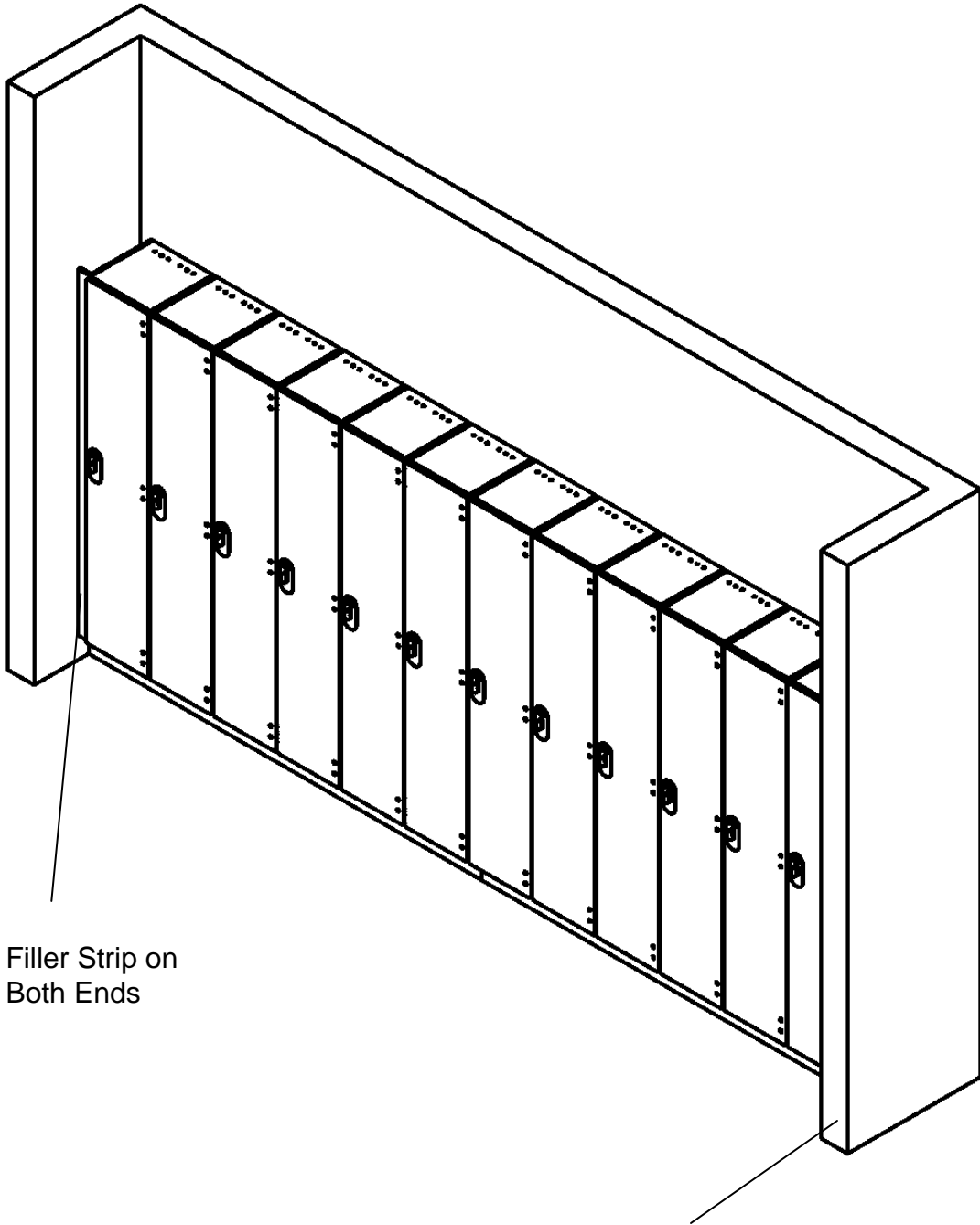
# Free Standing Layout



Finished End Panel  
on Both Ends

03132009 7

# Wall to Wall Layout



Filler Strip on  
Both Ends

Sub Wall to Extend Past  
Locker

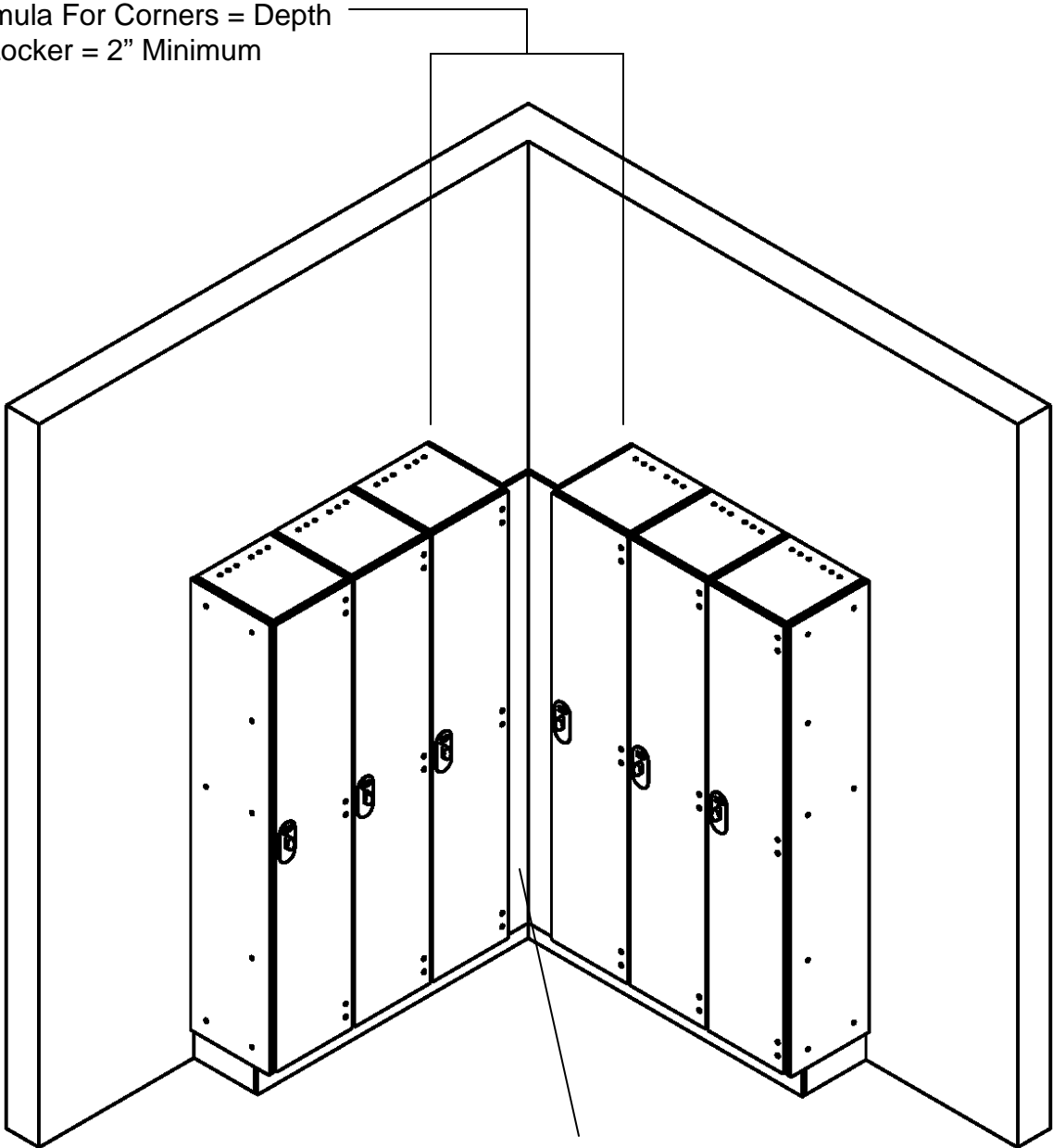
03132009 8

**Design-Tec**  
**LOCKERS**

**Spec-Rite Designs, LLC**  
Phone: 1-877-249-6864 Fax: 314-771-4597  
E-mail: [info@specritedesigns.com](mailto:info@specritedesigns.com)

# Corner Locker Layout

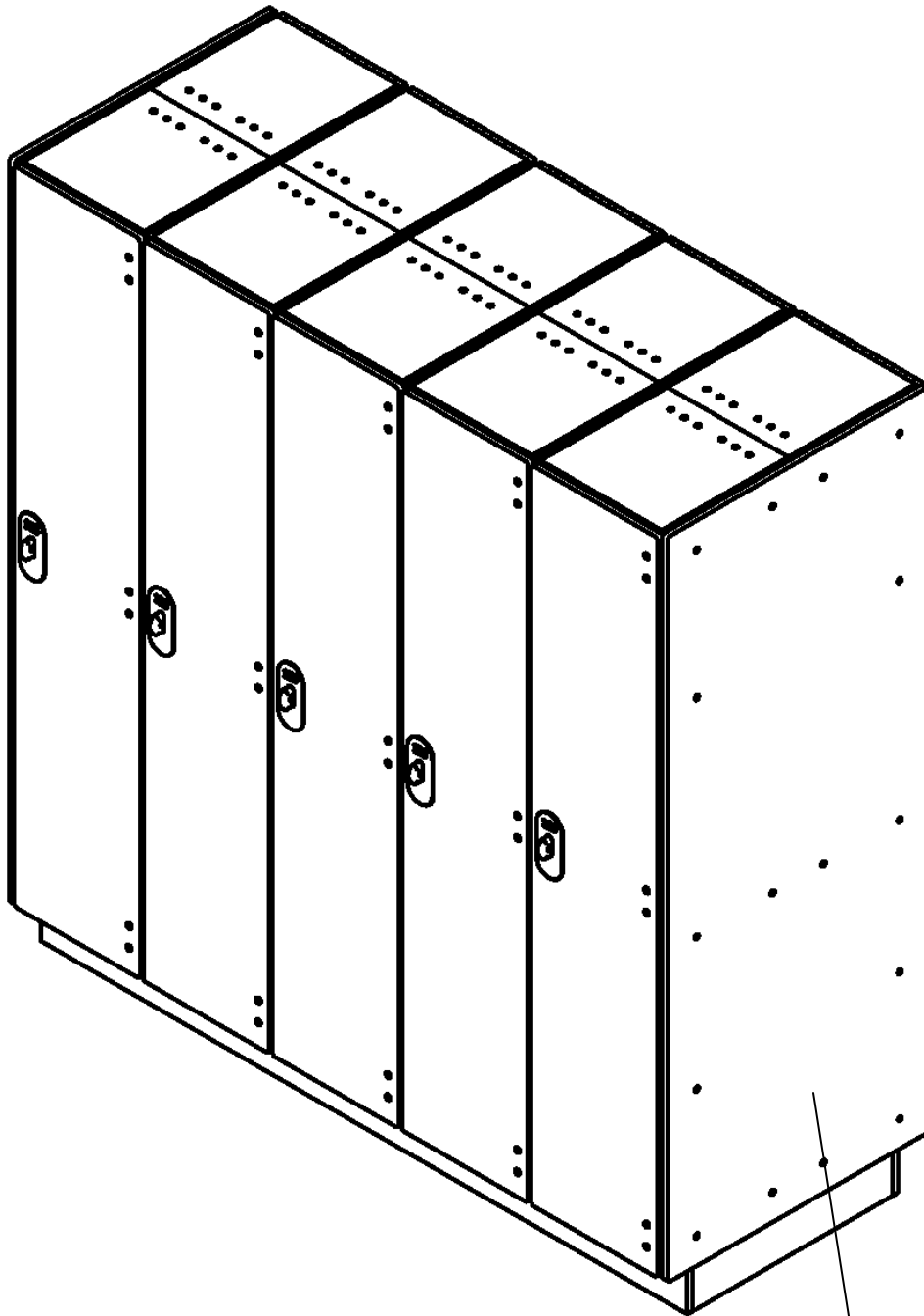
Formula For Corners = Depth  
Of Locker = 2" Minimum



Filler Strips (2)

03132009 9

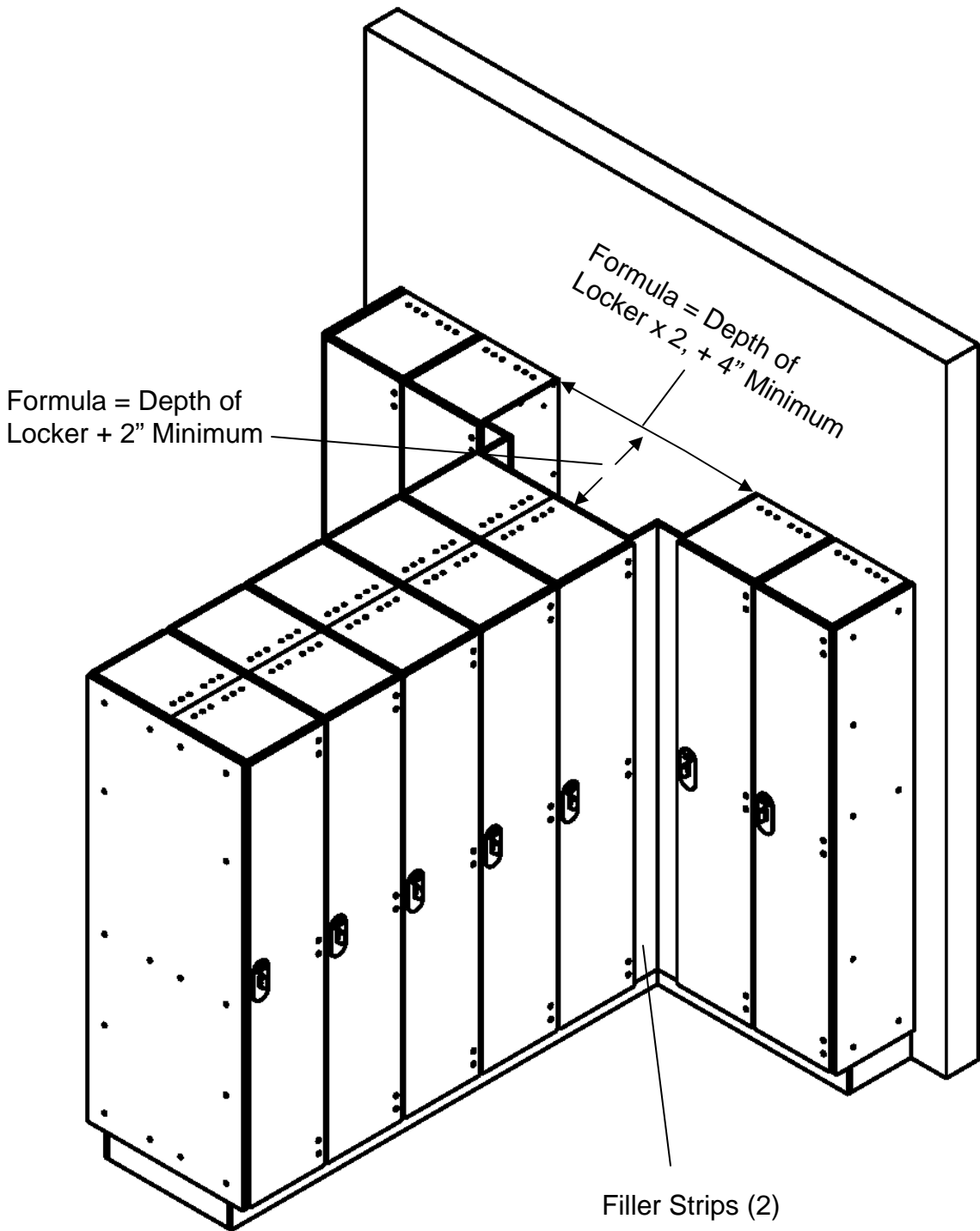
# Island Locker Layout



Double Finished End  
Panel On Both Ends

03132009 10

# Peninsula Locker Layout



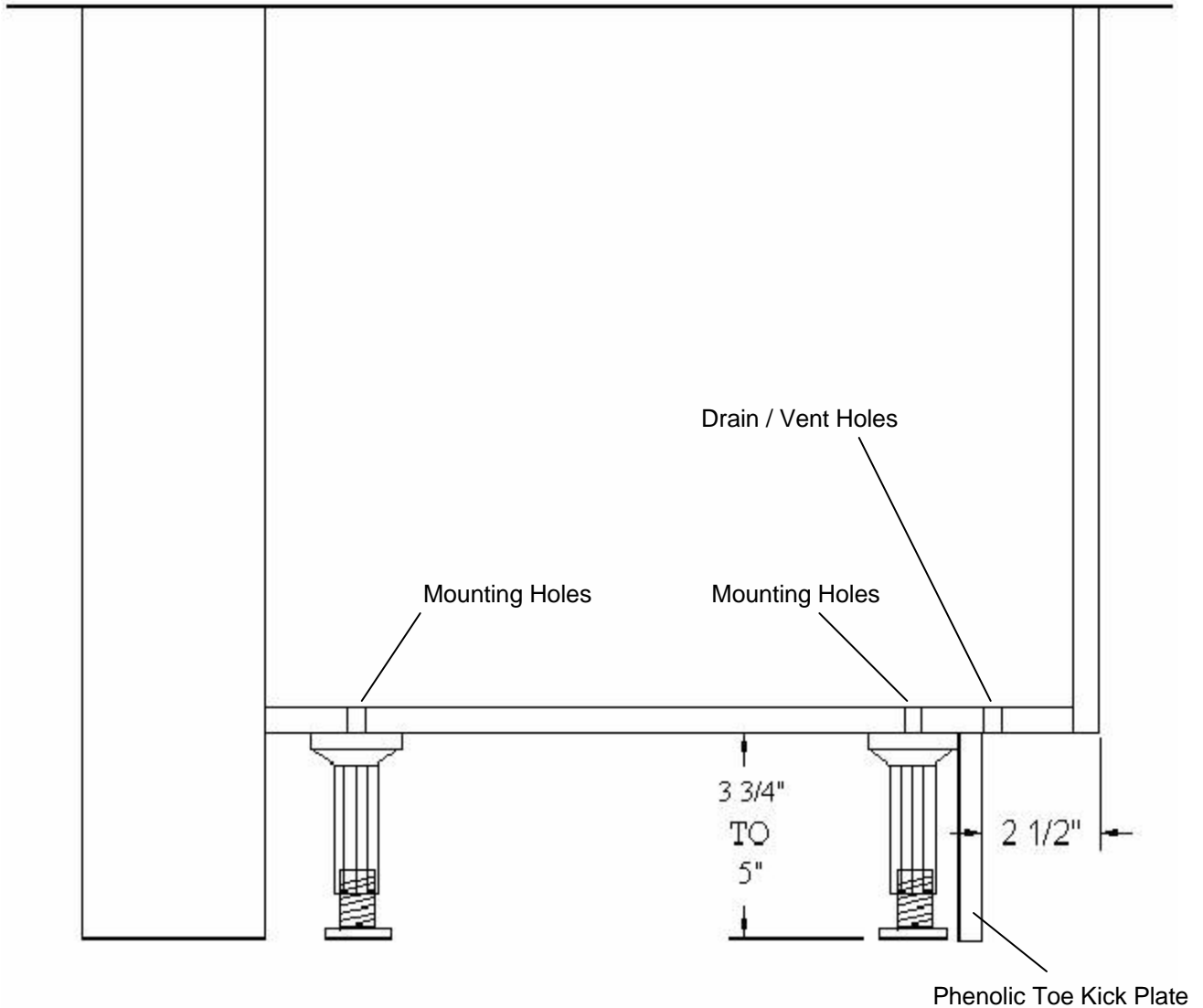
03132009 11

# Base Details & Mounting

Design-Tec® Lockers have several base types available to choose from. You can choose which base type best fits your facility giving you maximum opportunity to utilize the most of your space.

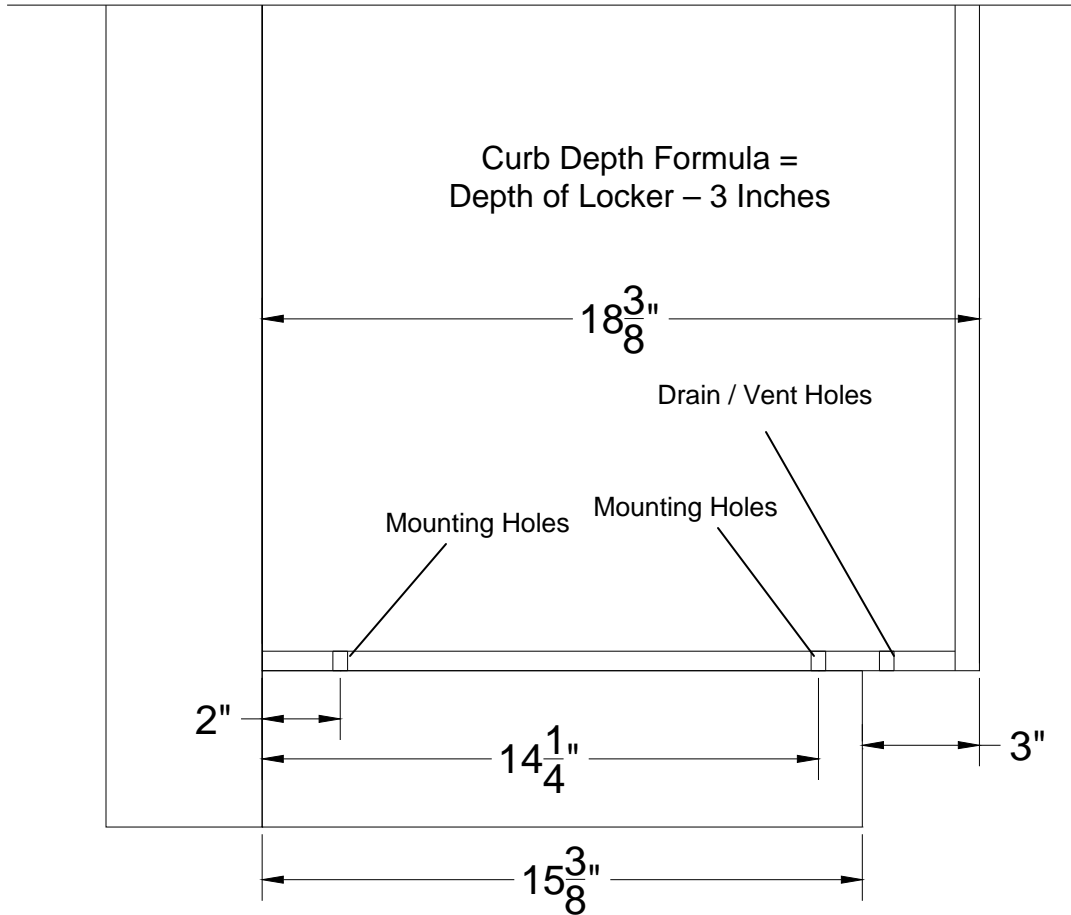
- Adjustable Mounting Leg
- Curb Mounting (Base by Others)
- Bench Frame System
- Locker Frame System

# Adjustable Mounting Leg



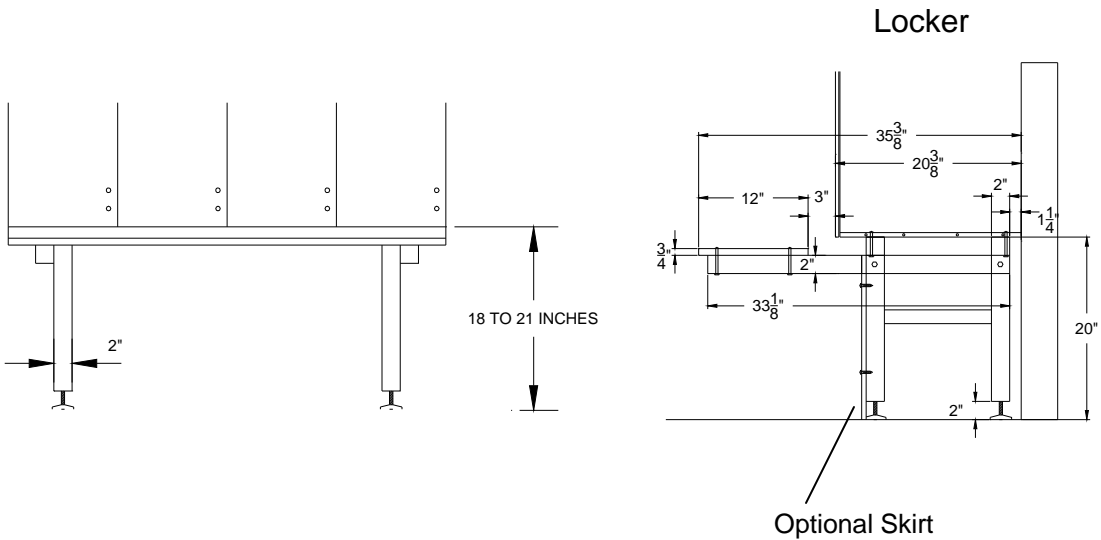
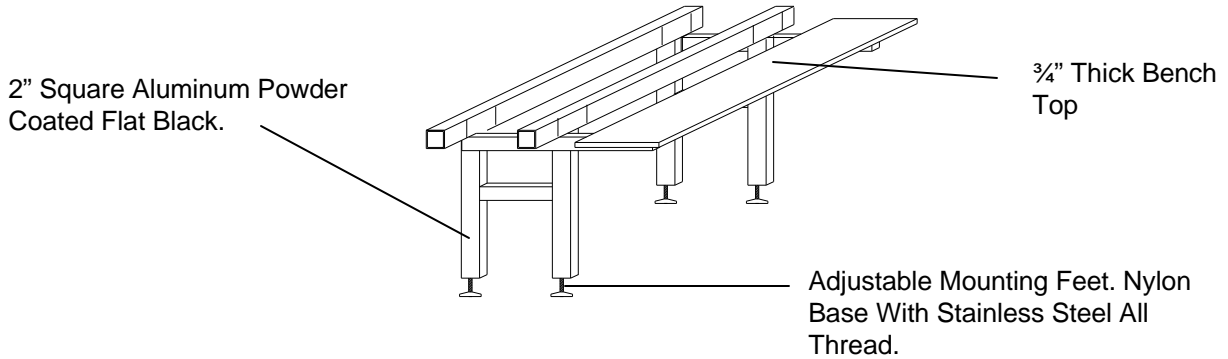
03132009 2

# Curb Mounting



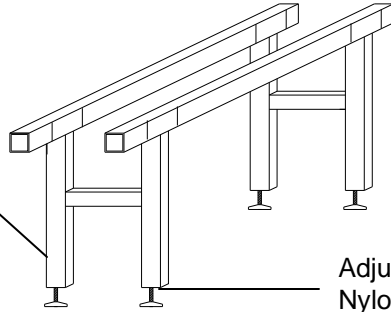
03132009 3

# Bench Frame System

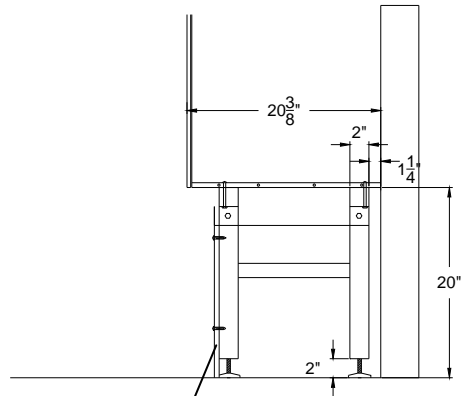
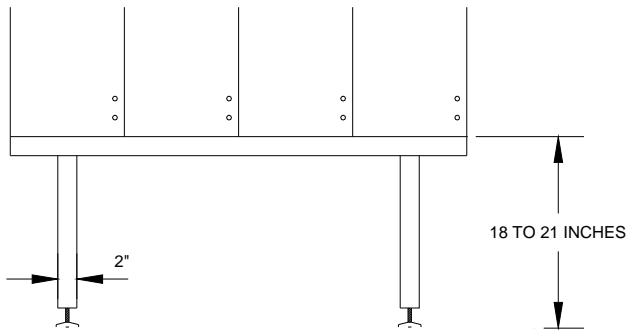


# Locker Frame System

2" Square Aluminum  
Powder Coated Flat  
Black.



Adjustable Mounting Feet.  
Nylon Base With Stainless  
Steel All Thread.



Optional Skirt

03132009 5